

Fig 1.

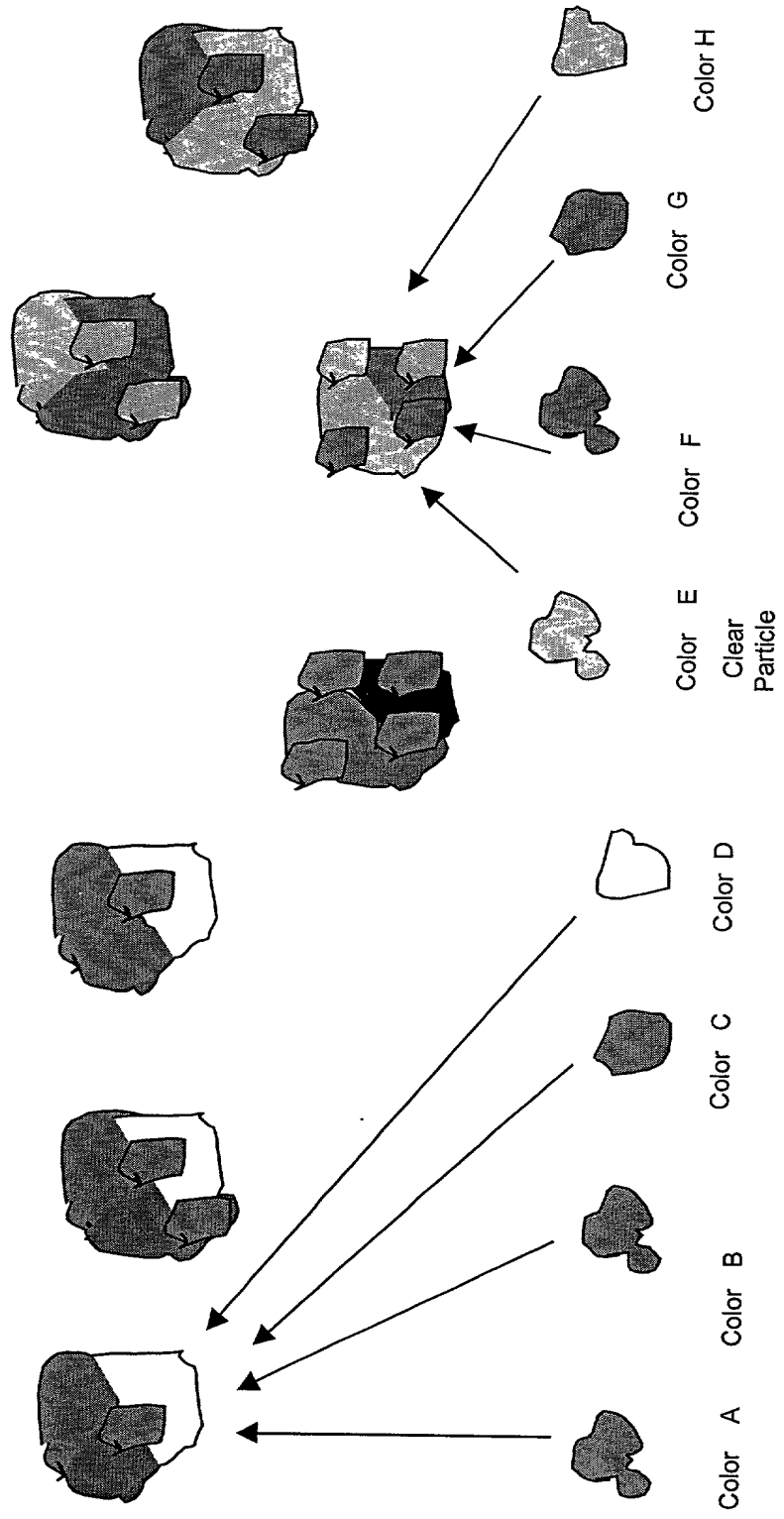
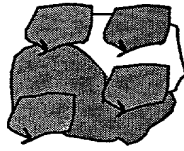
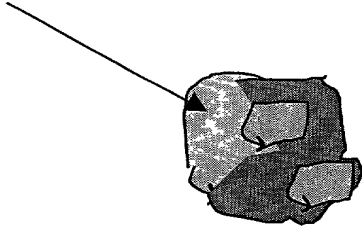


Fig 2.

Color E
Clear Particle



Color A



Color B



Color C



Color D

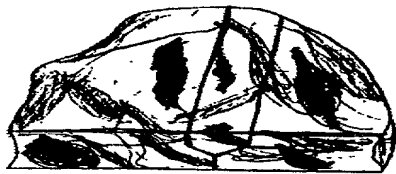
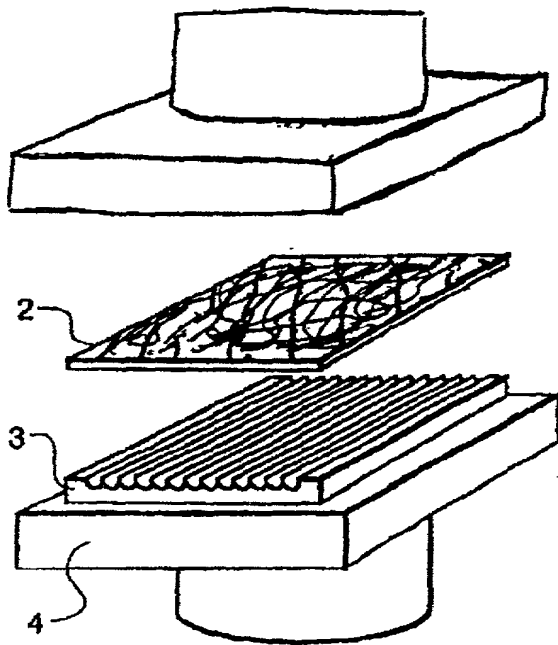


Fig. 3

Fig. 4



FOR FILING